



ISORAN RPP AND ISORAN RPP DD

ISORAN RPP AND ISORAN RPP DD

Megadyne Isoran RPP and Isoran RPP DD belts are a high power and high precision class of belt. Compared to Isoran Imperial, they can transmit more power in the same width or can allow a reduction of width to transmit the same power. This kind of belt uses a parabolic profile with the purpose to transmit more power and reduce the kind of accidents as tooth jump and to reduce noise.

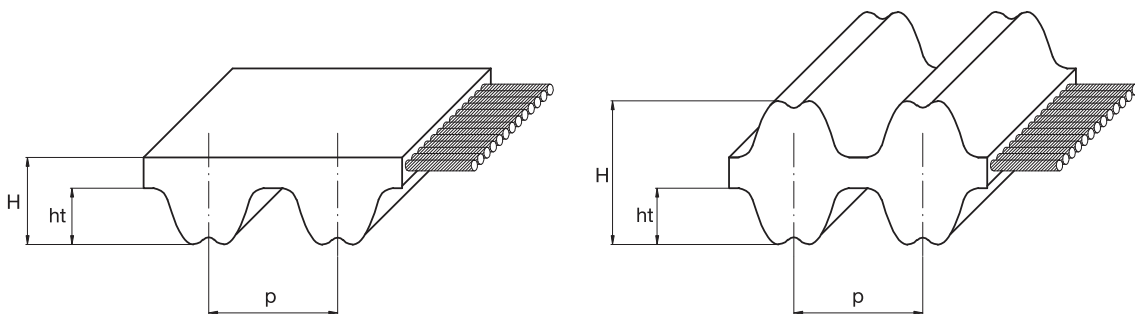
The parabolic profile has a progressive pressure angle since the tooth root up to the top. This allows to have a taller tooth with the same pitch length. These two features lead to the following advantages:

- Reduction interference between the pulley and the belt and its related wearing coming from the torque peaks;
- Less noise;
- More resistance to tooth jump and to tooth shear;
- Higher transmittable torques;
- Less pre-tension.

Looking at the tooth design, it has a groove on the top. This allows a local deformation leading to the following advantages:

- A smoother engagement;
- A better meshing of the tooth in the pulley groove;
- A more uniform sharing of engaging teeth's stress;
- Less noise because of the smoother engagement;
- Less wearing because of the less slippage during engagement.

RPP profile have been designed even to be interchangeable with existing deep groove profiles and run on pulleys according to ISO 13050.



| Pitch | | RPP3 | RPP5 | RPP8 | RPP14 | RPP5 DD | RPP8 DD | RPP14 DD |
|-------------------|----|------|------|------|-------|---------|---------|----------|
| Pitch length (mm) | p | 3 | 5 | 8 | 14 | 5 | 8 | 14 |
| Teeth height (mm) | ht | 1,15 | 2,00 | 3,20 | 6,00 | 2,00 | 3,20 | 5,70 |
| Belt height (mm) | H | 2,40 | 3,80 | 5,40 | 9,70 | 5,20 | 7,80 | 14,00 |

| Resistance to: | Standard belt resistance |
|----------------------|--------------------------|
| Water | Medium |
| Acids / Alkalis | None |
| Solvents | None |
| Mineral oils | Low |
| Oils | Low |
| Greases | Medium |
| Fuels | None |
| Environmental agents | Medium |

| Other features | |
|-------------------|------------------|
| Temperature range | Min: -25 °C |
| | Max: 80 °C |
| | Max peak: 100 °C |
| Hardness | 74 +/-4 ShA |