

PowerGrip® GT®2 and HTD® Belt Drives

Gates 5mm, 8mm and 14mm pitch GT®2 and 20mm pitch HTD® belts have helically-wound fiberglass tension members embedded in a Neoprene®* body with the belt teeth faced with a tough wear-resistant nylon fabric.

The three principal dimensions of a belt are

Pitch	Pitch Length	Width
-------	--------------	-------

Belt pitch is the distance in millimeters between two adjacent tooth centers as measured on the pitch line of the belt. Belt pitch length is the total length (circumference) in millimeters as measured along the pitch line. The theoretical pitch line of a PowerGrip® belt lies within the tensile member.

The part number designations for PowerGrip belts depend on the pitch of the belt. Belt designations are shown below for each of the available pitches.

5mm PowerGrip GT2

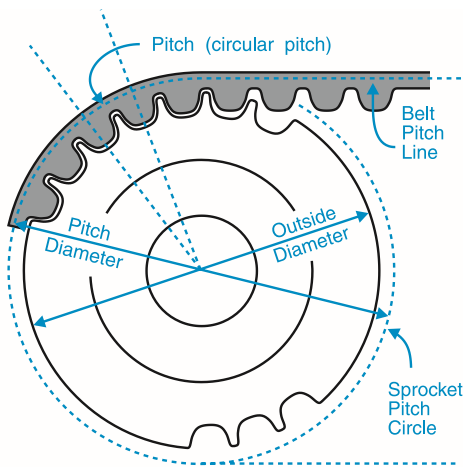
Example: 5mm pitch, 1600mm pitch length, 25mm belt width
Belt Designation: 5MR-1600-25

8mm, 14mm PowerGrip GT2

Example: 14mm pitch, 1610mm pitch length, 55mm belt width
Belt Designation: 1610-14MGT-55

20mm PowerGrip HTD

Example: 20mm pitch, 2000mm pitch length, 230mm belt width
Belt Designation: 2000-20M-230



The part number designations for PowerGrip GT2 and HTD sprockets depend on the pitch of belt. Sprocket designations are shown below for each of the available pitches.

5mm, 8mm, 14mm PowerGrip GT2

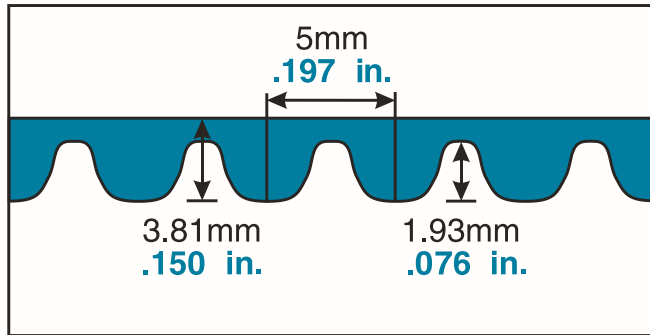
Example: 14mm pitch, 48 grooves, 55mm belt width
Sprocket Designation: P48-14MGT-55

20mm PowerGrip HTD

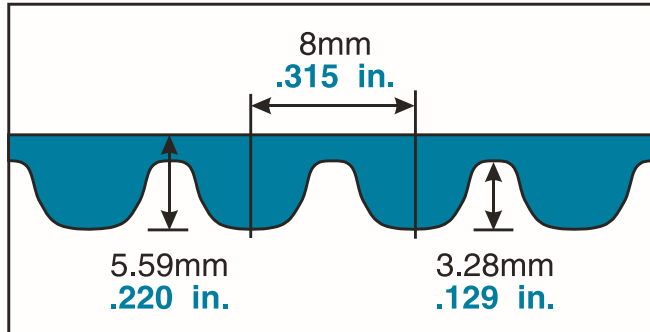
Example: 20mm pitch, 52 grooves, 230mm belt width
Belt Designation: P52-20M-230

NOTE: 20mm pitch PowerGrip GT2 belts use 20mm pitch HTD® sprockets.

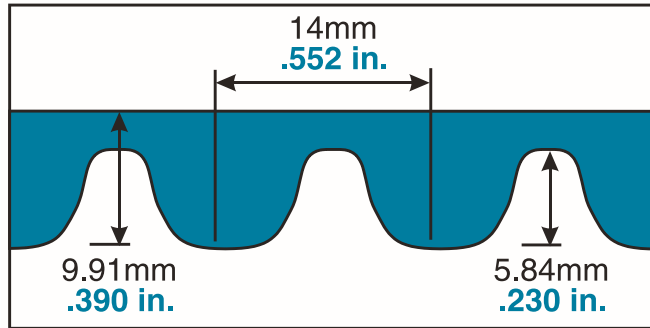
5mm Pitch - Reference Dimensions



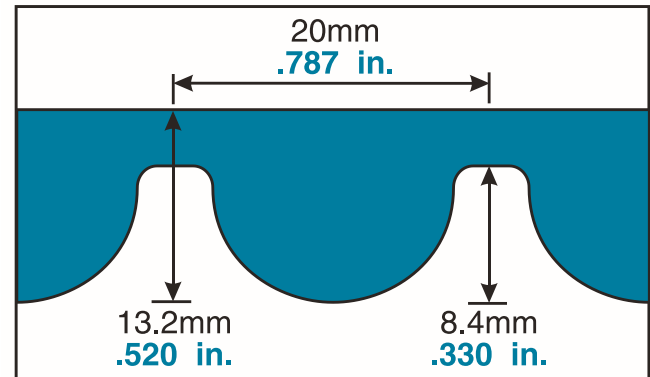
8mm Pitch - Reference Dimensions



14mm Pitch - Reference Dimensions



20mm Pitch - Reference Dimensions



* Neoprene is a trademark of Dupont

PowerGrip® GT®2 and HTD® Belt Drives

The following tables list the stock PowerGrip® belts and their dimensions.

5mm Pitch PowerGrip® GT®2 Stock Belt Lengths

Designation	Pitch Length		No. of Teeth
	(mm)	(in)	
5MR-300	300	11.81	60
5MR-355	355	13.98	71
5MR-375	375	14.76	75
5MR-400	400	15.75	80
5MR-405	405	15.94	81
5MR-425	425	16.73	85
5MR-450	450	17.72	90
5MR-500	500	19.69	100
5MR-535	535	21.06	107
5MR-565	565	22.24	113
5MR-575	575	22.64	115
5MR-580	580	22.83	116
5MR-600	600	23.62	120
5MR-625	625	24.61	125
5MR-650	650	25.59	130
5MR-700	700	27.56	140
5MR-750	750	29.53	150
5MR-800	800	31.50	160
5MR-815	815	32.09	163
5MR-850	850	33.46	170
5MR-900	900	35.43	180
5MR-1000	1000	39.37	200
5MR-1150	1150	45.28	230
5MR-1300	1300	51.18	260
5MR-1450	1450	57.09	290
5MR-1600	1600	62.99	320
5MR-1720	1720	67.72	344
5MR-1755	1755	69.09	351
5MR-2100	2100	82.68	420

5MR Stock Belt Widths

Belt Width Code	Belt Width (mm)	Belt Width (in)
09	9	0.354
15	15	0.591
25	25	0.984

8mm Pitch PowerGrip® GT®2 Stock Belt Lengths

Designation	Pitch Length		No. of Teeth
	(mm)	(in)	
384-8MGT	384	15.12	48
480-8MGT	480	18.90	60
560-8MGT	560	22.05	70
600-8MGT	600	23.62	75
640-8MGT	640	25.20	80
720-8MGT	720	28.35	90
800-8MGT	800	31.50	100
840-8MGT	840	33.07	105
880-8MGT	880	34.65	110
920-8MGT	920	36.22	115
960-8MGT	960	37.80	120
1040-8MGT	1040	40.94	130
1064-8MGT	1064	41.89	133
1120-8MGT	1120	44.09	140
1160-8MGT	1164	45.67	145
1200-8MGT	1200	47.24	150
1224-8MGT	1224	48.19	153
1280-8MGT	1280	50.39	160
1440-8MGT	1440	56.69	180
1512-8MGT	1512	59.53	189
1584-8MGT	1584	62.36	198
1600-8MGT	1600	62.99	200
1760-8MGT	1760	69.29	220
1800-8MGT	1800	70.87	225
2000-8MGT	2000	78.74	250
2200-8MGT	2200	86.61	275
2400-8MGT	2400	94.49	300
2600-8MGT	2600	102.36	325
2800-8MGT	2800	110.24	350
3048-8MGT	3048	120.00	381
3280-8MGT	3280	129.13	410
3600-8MGT	3600	141.73	450
4400-8MGT	4400	173.23	550

8MGT Stock Belt Widths

Belt Width Code	Belt Width (mm)	Belt Width (in)
20	20	0.787
30	30	1.181
50	50	1.969
85	85	3.346

14mm Pitch PowerGrip® GT®2 Stock Belt Lengths

Designation	Pitch Length		No. of Teeth
	(mm)	(in)	
966-14MGT	966	38.03	69
1190-14MGT	1190	46.85	85
1400-14MGT	1400	55.12	100
1610-14MGT	1610	63.39	115
1778-14MGT	1778	70.00	127
1890-14MGT	1890	74.41	135
2100-14MGT	2100	82.68	150
2310-14MGT	2310	90.94	165
2450-14MGT	2450	96.46	175
2590-14MGT	2590	101.97	185
2800-14MGT	2800	110.24	200
3150-14MGT	3150	124.02	225
3360-14MGT	3360	132.28	240
3500-14MGT	3500	137.80	250
3850-14MGT	3850	151.57	275
4326-14MGT	4326	170.31	309
4578-14MGT	4578	180.24	327
4956-14MGT	4956	195.12	354
5320-14MGT	5320	209.45	380
5740-14MGT	5740	225.98	410
6160-14MGT	6160	242.52	440
6860-14MGT	6860	270.08	490

14MGT Stock Belt Widths

Belt Width Code	Belt Width (mm)	Belt Width (in)
40	40	1.575
55	55	2.165
85	85	3.346
115	115	4.528
170	170	6.693

20mm Pitch PowerGrip® HTD® Stock Belt Lengths

Designation	Pitch Length		No. of Teeth
	(mm)	(in)	
2000-20M	2000	78.74	100
2500-20M	2500	98.43	125
3400-20M	3400	133.86	170
3800-20M	3800	149.61	190
4200-20M	4200	165.35	210
4600-20M	4600	181.10	230
5000-20M	5000	196.85	250
5200-20M	5200	204.72	260
5400-20M	5400	212.60	270
5600-20M	5600	220.47	280
5800-20M	5800	228.35	290
6000-20M	6000	236.22	300
6200-20M	6200	244.09	310
6400-20M	6400	251.97	320
6600-20M	6600	259.84	330

20M Stock Belt Widths

Belt Width Code	Belt Width (mm)	Belt Width (in)
115	115	4.528
170	170	6.693
230	230	9.055
290	290	11.417
340	340	13.386